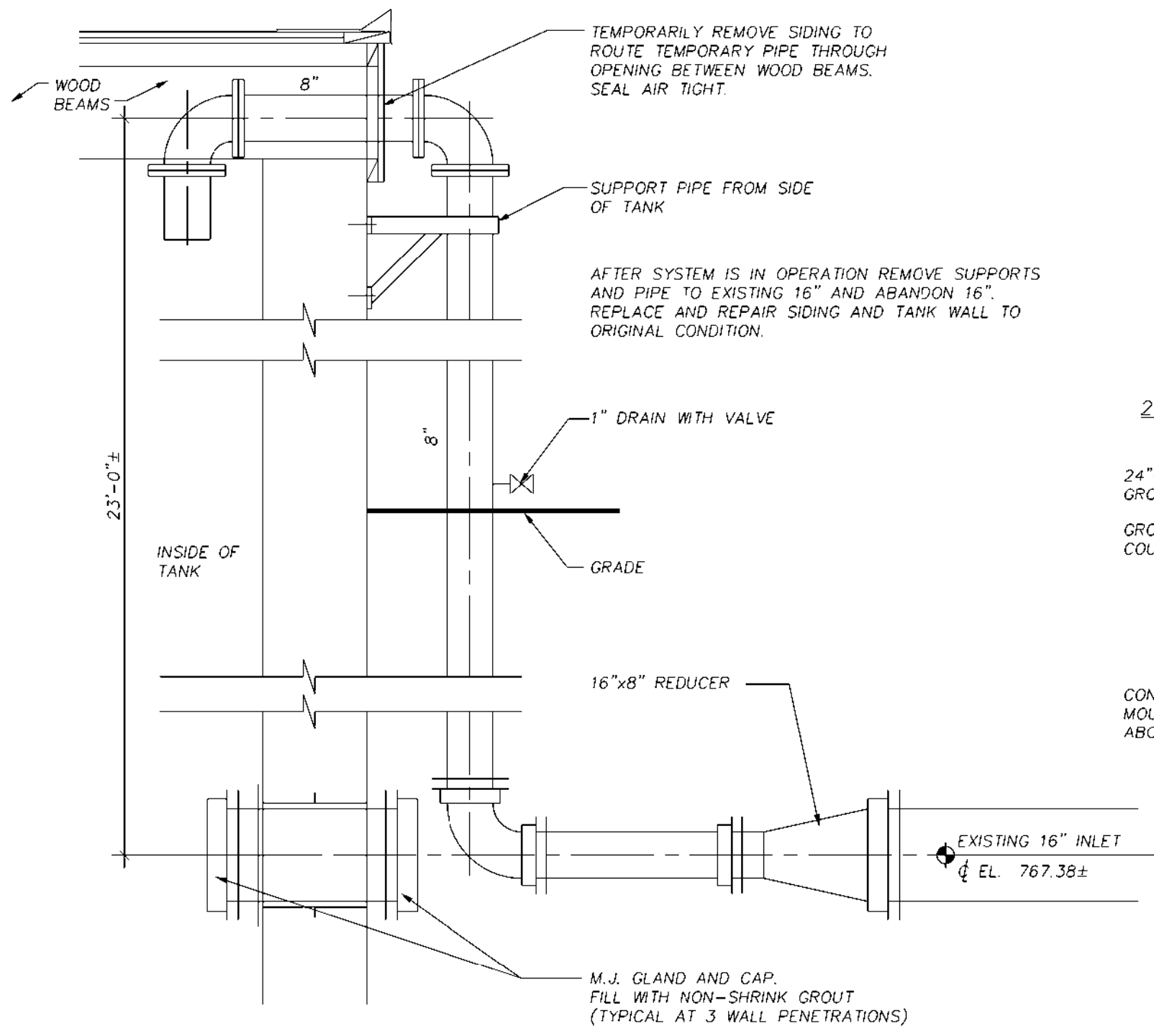
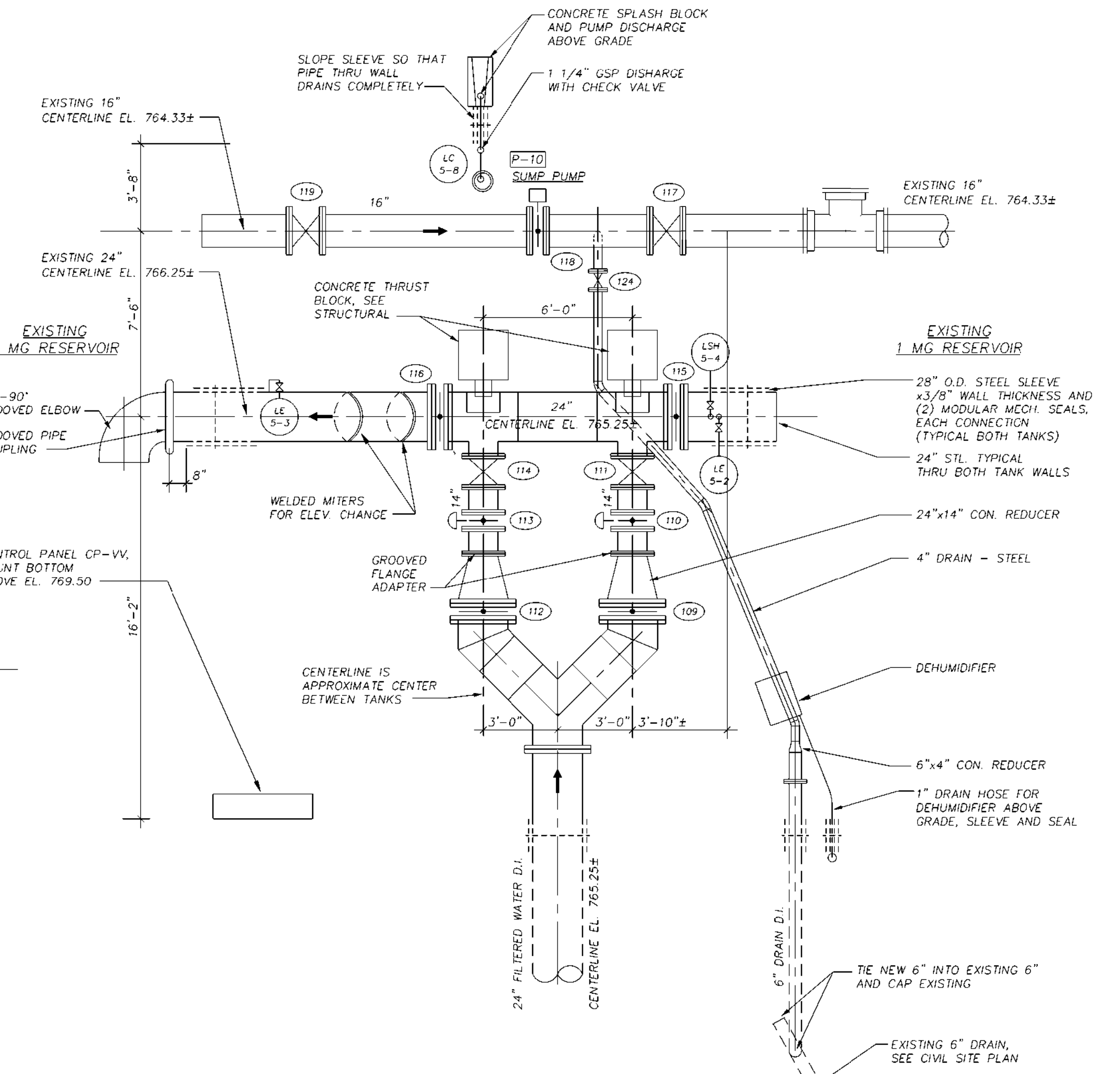


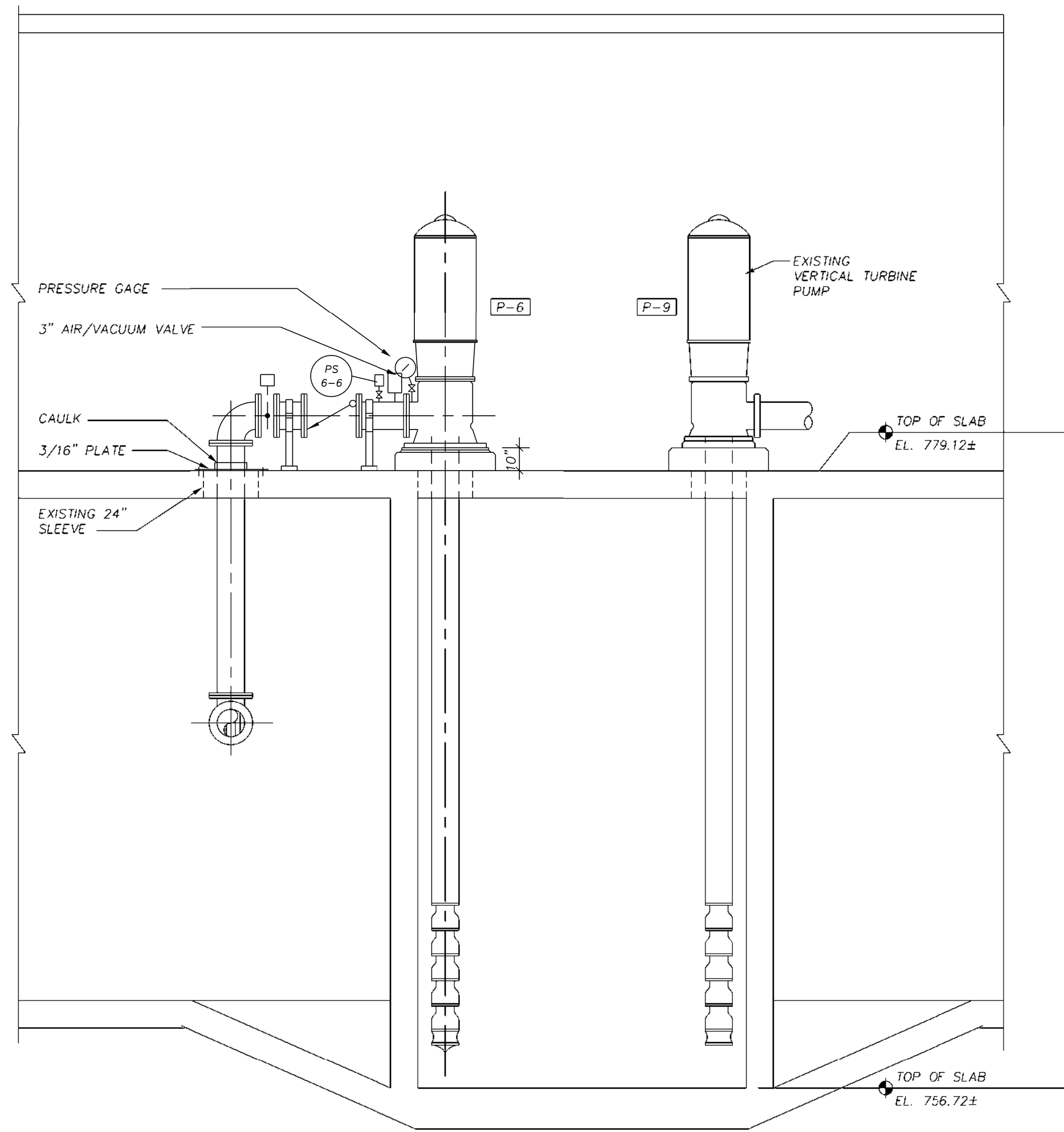
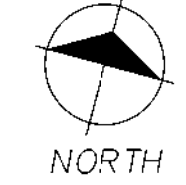
HIGH SERVICE PUMP BUILDING PLAN
SCALE: 1/4" = 1'-0"



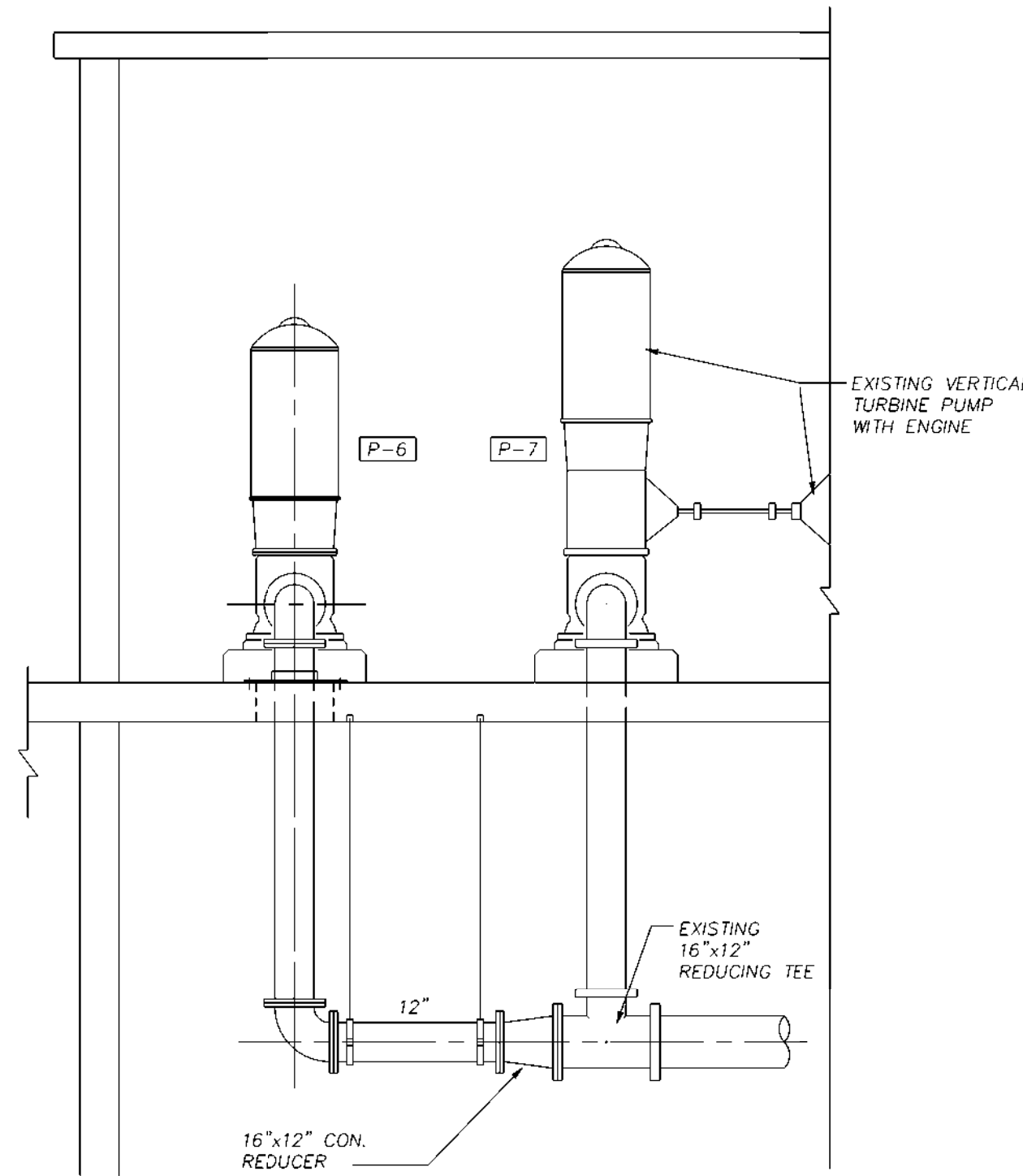
TEMPORARY FILL LINE FOR 2 MG TANK
NO SCALE
(REMOVED AFTER CONSTRUCTION)



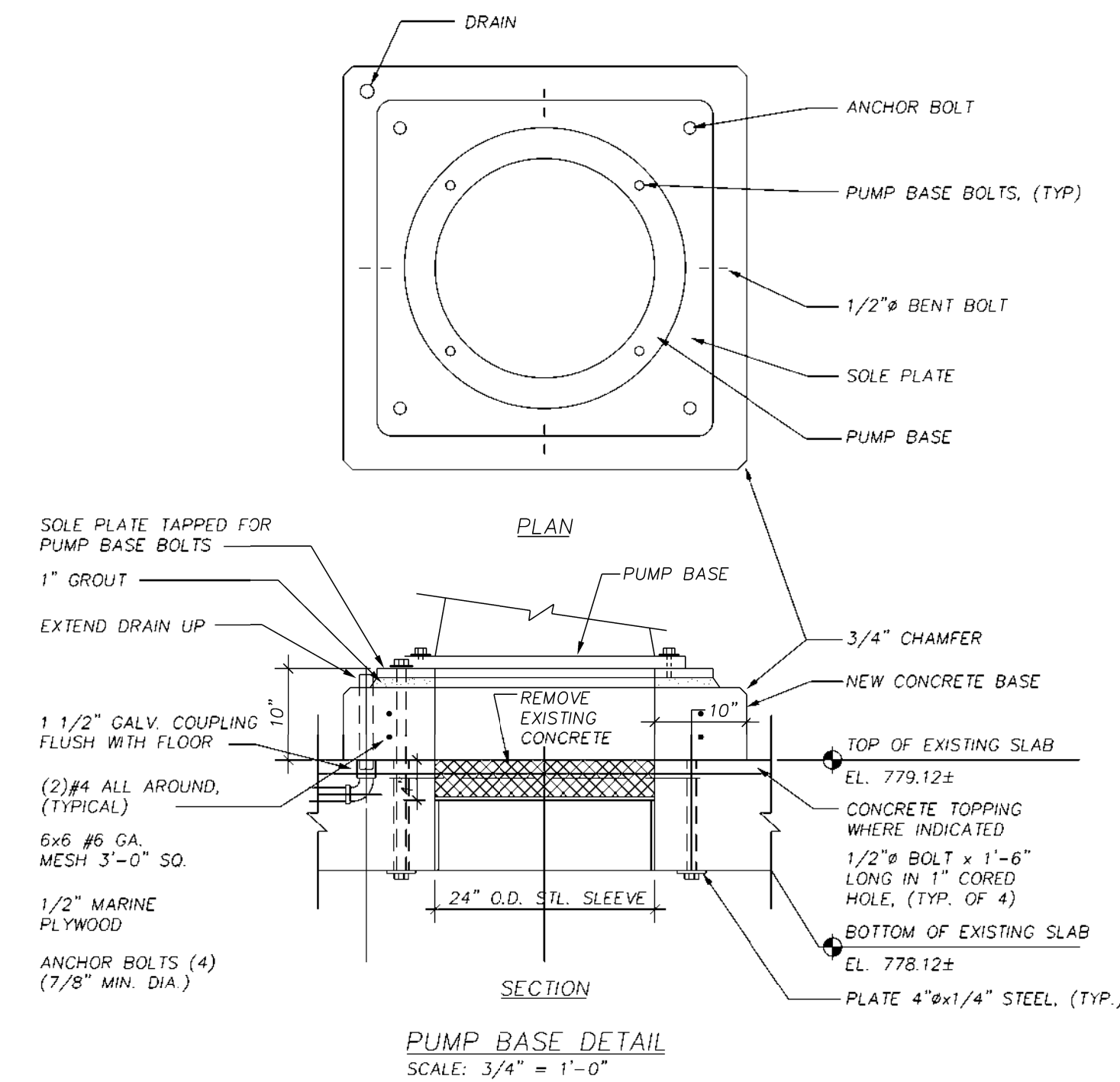
VALVE VAULT PIPING PLAN
SCALE: 1/4" = 1'-0"



SECTION 1
SCALE: 1/4" = 1'-0"

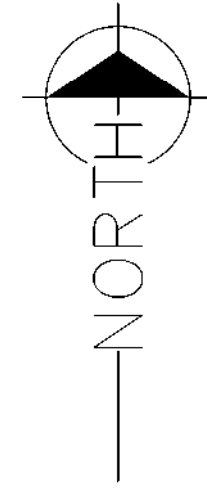


SECTION 2
SCALE: 1/4" = 1'-0"

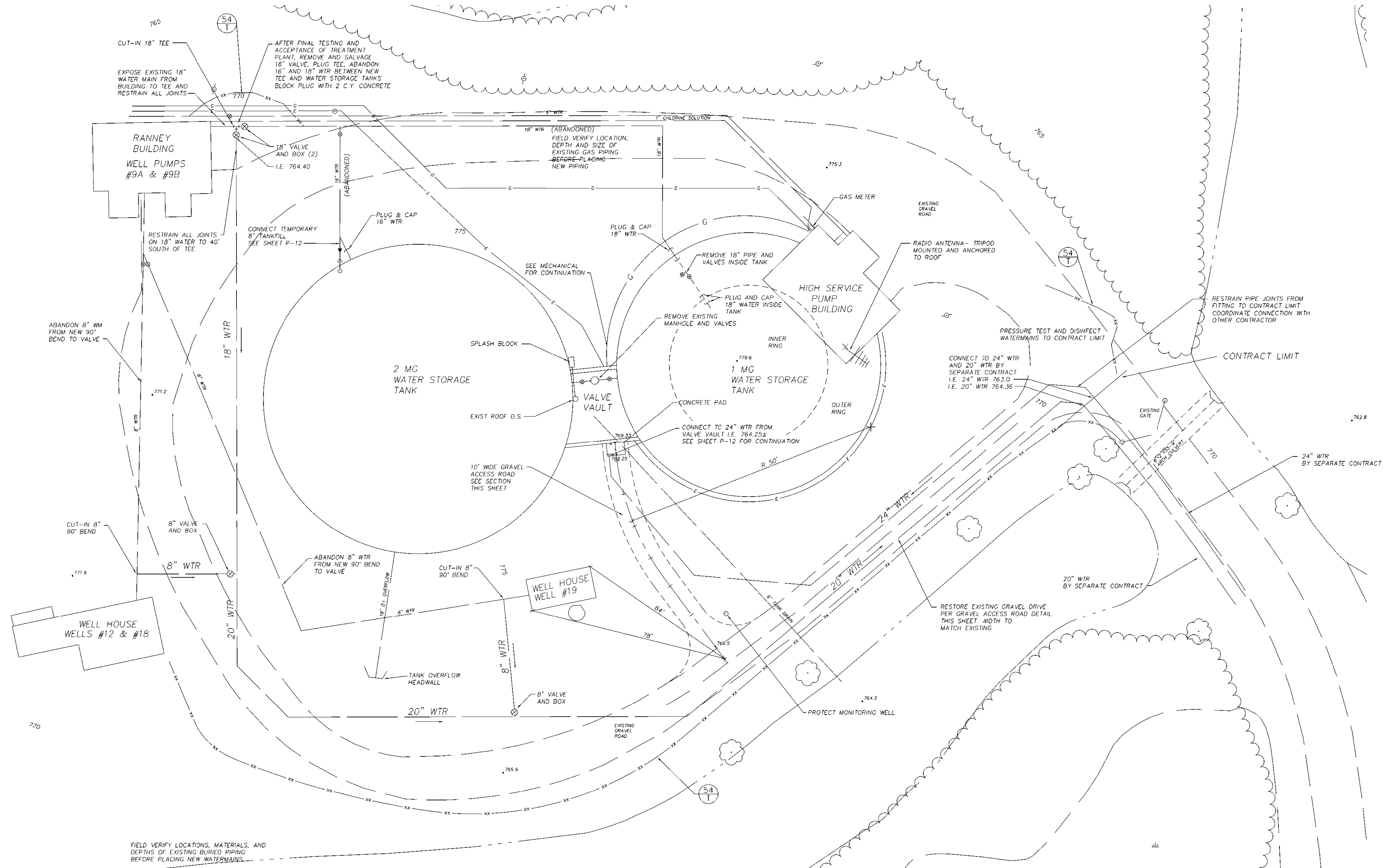
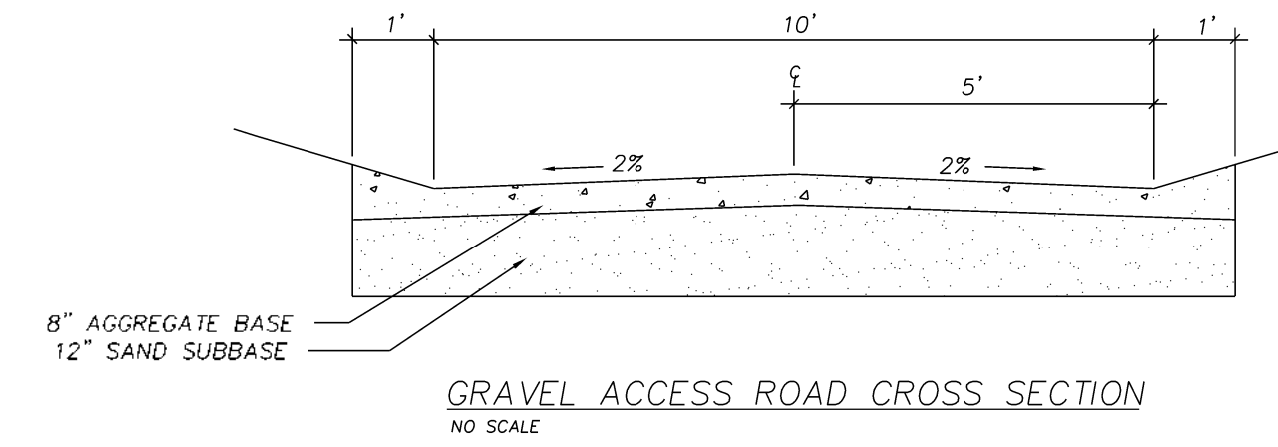


PUMP BASE DETAIL
SCALE: 3/4" = 1'-0"

RECORD DRAWINGS
CONSTRUCTED BY: GRANGER CONSTRUCTION
INSPECTED BY: F.T.C. & H.

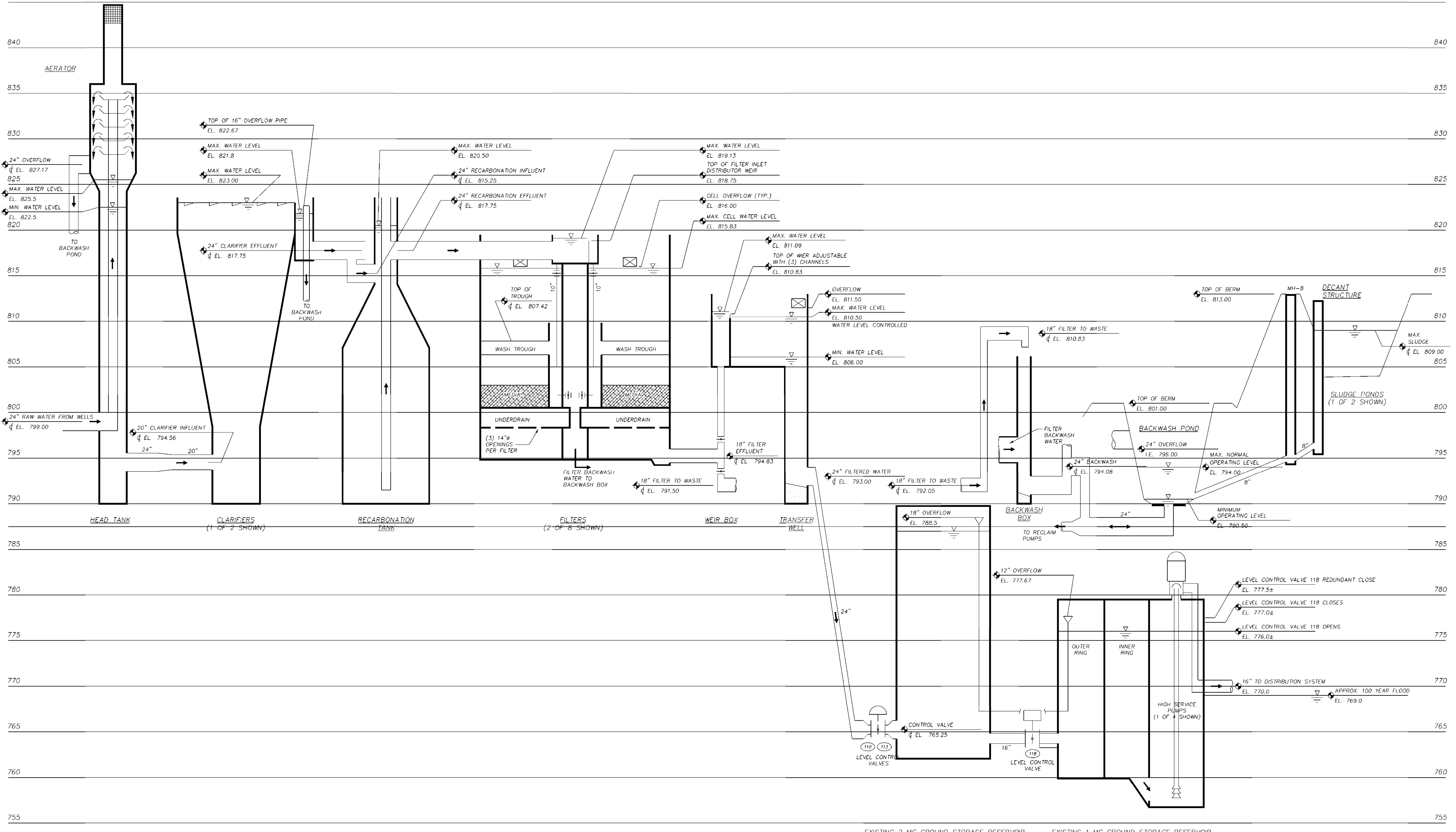


SCALE: 1" = 20'



FIELD VERIFY LOCATIONS, MATERIALS, AND DEPTHS OF EXISTING BURIED PIPING BEFORE PLACING NEW WATERMANS.

RECORD DRAWINGS
 CONSTRUCTED BY: GRANGER CONSTRUCTION
 INSPECTED BY: F.T.C. & H.



DRAWING INFO: 93021AD\DR\3021A509 DATE: 06/27/96 TIME: 4:42 PM USER: MEE
 M:\A001\PROJECTS\3021A509\3021A509.DWG

CEB
 WAK
 TCC
 6/28/96
 REVISED IN ACCORDANCE WITH CONSTRUCTION RECORDS
 3/16/94

EXISTING 2 MG GROUND STORAGE RESERVOIR EXISTING 1 MG GROUND STORAGE RESERVOIR

NOTE: MAXIMUM WATER LEVEL ELEVATIONS CALCULATED AT 8.3 MGD.

RECORD DRAWINGS
 CONSTRUCTED BY: GRANGER CONSTRUCTION
 INSPECTED BY: F.T.C. & H.

HYDRAULIC PROFILE